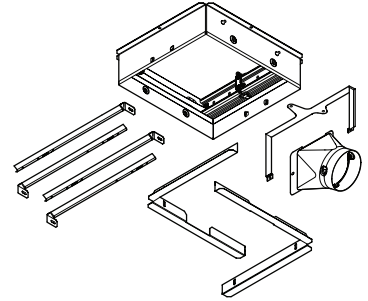


# RDMWT RADIATION DAMPER FOR InVent™ VENTILATION FANS



Radiation damper for use with Broan and NuTone ventilation fans (sold separately).

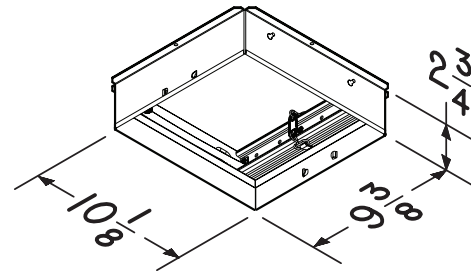
### FEATURES

- For use with 1, 2 or 3-Hour-Rated Floor-Ceiling and Roof-Ceiling Designs.
- UL Classified UL555C
- Meets or exceeds NFPA-90A
- UL/ cUL Listed for use in the following Floor Ceiling and Roof Ceiling Assemblies: L521, L528, L546, L558, L562, L574, L576, L581, L583, L585, P522, P533, P538, P545, and P547 when installed per instructions.
- Stainless steel closure springs
- 165° F fusible link
- Galvanized steel frame.
- Separate outer frame allows complete fan and damper serviceability without disturbing surrounding ceiling material.
- Kit includes the following:
  - Radiation Damper
  - 4" Round Metal Damper / Duct Connector
  - Mounting Support Bars
  - Plaster Supports
  - Motor Mounting Bracket
  - Light Jumper Cable

RDMWT is for use with the following ventilation fan models:

**Broan** A110-A, A110C, A80-A, A80C, A80HD-A, AE110-A, AE110C, AE110L-A, AE110L-B, AE50-A, AE80-A, AE80B-A, AE80BL-A, AE80BL-B, AE80L-A, AE80L-B, AE80S-A, AE80SL-A, AE80SL-B, AE110S-A, AE110SL-A, AE110SL-B, AR80X-A, AER110-A, AER80-A, AER50-A, AR110-A, AER110L-A, AER110L-B

**NuTone** AEN110-A, AEN110C, AEN110L-A, AEN110L-B, AEN50-A, AEN80-A, AEN80B-A, AEN80BL-A, AEN80BL-B, AEN80L-A, AEN80L-B, AN110-A, AN110C, AN80C-A, AERN110, ARN80, ARN80HD, AERN110L



SEE DETAILS ON  
UL CLASSIFICATION  
MARKING ON PRODUCT

Broan Hartford, Wisconsin [www.broan.com](http://www.broan.com) [www.nutone.com](http://www.nutone.com) 800-558-1711  
Broan Canada Mississauga, Ontario [www.broan.ca](http://www.broan.ca) [www.nutone.ca](http://www.nutone.ca) 877-896-1119

REFERENCE	QTY.	REMARKS	Project
			Location
			Architect
			Engineer
			Contractor
			Submitted by
			Date