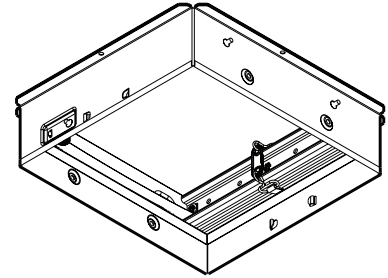


RDM1 RADIATION DAMPER FOR VENTILATION FANS



Radiation damper for use with Broan and NuTone ventilation fans (sold separately).

FEATURES

- For use in 1, 2 and 3 hour rated floor-ceiling and roof-ceiling constructions
- Galvanized steel frame
- High temperature, non-asbestos, reinforced fiber thermal fabric
- Stainless steel closure springs
- 165°F fusible link
- Separate outer frame allows complete fan and damper serviceability without disturbing the surrounding ceiling material
- Includes light jumper cable
- Meets or exceeds NFPA-90A
- UL Classified (UL-555C)

RDM1 for use with the following ventilation fan models:

Broan A110-A, A110C, A80-A, A80C, A80HD-A, AE110-A, AE110C, AE110L-A, AE110L-B, AE50-A, AE80-A, AE80B-A, AE80BL-A, AE80BL-B, AE80L-A, AE80L-B, AE80S-A, AE80SL-A, AE80SL-B, AE110S-A, AE110SL-A, AE110SL-B

NuTone AEN110-A, AEN110C, AEN110L-A, AEN110L-B, AEN50-A, AEN80-A, AEN80B-A, AEN80BL-A, AEN80BL-B, AEN80L-A, AEN80L-B, AN110-A, AN110C, AN80C-A

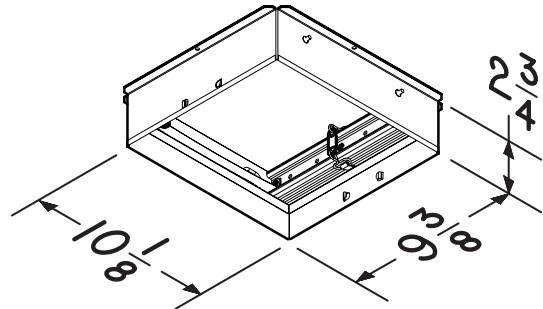
TYPICAL SPECIFICATION

Radiation damper shall be Broan/NuTone RDM1 suitable for use with the following ventilation fan models:

Broan A110-A, A110C, A80-A, A80C, A80HD-A, AE110-A, AE110C, AE110L-A, AE110L-B, AE50-A, AE80-A, AE80B-A, AE80BL-A, AE80BL-B, AE80L-A, AE80L-B, AE80S-A, AE80SL-A, AE80SL-B, AE110S-A, AE110SL-A, AE110SL-B

NuTone AEN110-A, AEN110C, AEN110L-A, AEN110L-B, AEN50-A, AEN80-A, AEN80B-A, AEN80BL-A, AEN80BL-B, AEN80L-A, AEN80L-B, AN110-A, AN110C, AN80C-A

Radiation damper shall be rated for use in up to three hour ceiling constructions. It shall be UL Classified (UL-555C) and meets or exceeds NFPA-90A.



SEE DETAILS ON
UL CLASSIFICATION
MARKING ON PRODUCT

Broan-NuTone LLC Hartford, Wisconsin www.broan.com www.nutone.com 800-558-1711
Broan-NuTone Canada Mississauga, Ontario www.broan.ca www.nutone.ca 877-896-1119

REFERENCE	QTY.	REMARKS	Project
			Location
			Architect
			Engineer
			Contractor
			Submitted by Date