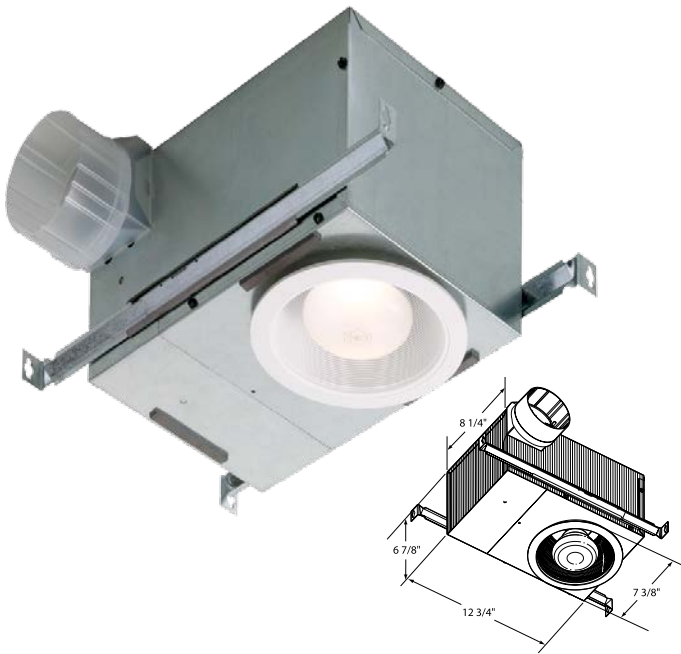


NuTone®

The first ENERGY STAR® recessed fan/light and now the only one with 25,000-hour LED lighting.

Introducing the NuTone Recessed Fan with LED Lighting. Our recessed fan/light just got better. Not only are we offering ENERGY STAR qualified, inconspicuous ventilation, but now we have made our recessed fan/light even more green by adding an LED bulb. In addition to being extremely efficient and containing no mercury, the LED bulb will last 25,000 hours or about 3–8 times longer than typical CFL bulbs. At 2 hours per day, this bulb will last well over 30 years—so you can spend less time on the ladder. Interested? Contact NuTone at 888-336-3948 for a distributor near you or visit www.NuTone.com.



- High efficiency centrifugal fan delivers 70 CFM at 1.5 sones
- 6" white trim matched to designs of major recessed light manufacturers
- Multiple units can easily be used in larger rooms
- Energy efficient lighting—one 14 watt (max) GU24, BR30 shape LED bulb (included)
- 800 Lumens for ideal task lighting
- UL Listed for use over tub or shower when connected to a GFCI protected branch circuit
- 6-7/8" high housing fits new construction and 2"x 8" ceiling joists
- 4" round duct connector
- Type IC
- ENERGY STAR qualified
- Not for use over cooking surfaces

NuTone®

NuTone.com

Broan-NuTone LLC, 926 W. State Street
Hartford, WI 53027 **888-336-3948**
In Canada call **877-896-1119**

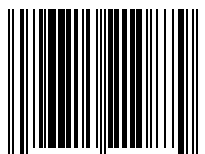
Model	CFM	Sones	Lighting	Bulb Type	ENERGY STAR	Ducting
744LEDNT	70	1.5	14W LED	BR30	Yes	4"



ENERGY STAR fans use 65% less energy, on average, than standard models and may qualify for local utility rebates.



America's Choice For Green Builders® Proud to be ENERGY STAR® partners.



0 26715 21087 9