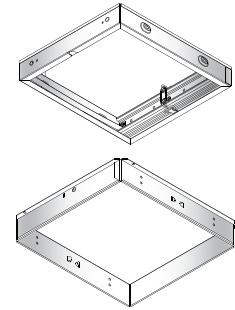


RDFQL PREMIUM RADIATION DAMPER FOR VENTILATION FANS



Premium radiation damper for use with Broan and NuTone ventilation fans (sold separately).

FEATURES

- For use in 1, 2 and 3 hour rated floor-ceiling and roof-ceiling constructions
- Galvanized steel frame
- High temperature, non-asbestos, reinforced fiber thermal fabric
- Stainless steel closure springs
- 165°F fusible link
- Separate outer frame allows complete fan and damper serviceability without disturbing the surrounding ceiling material
- Meets or exceeds NFPA-90A
- Includes light jumper cable
- UL Classified (UL-555C)

RDFQL for use with the following ventilation fan models:

Broan QTRE080FLT, QTRE110FLT, QTRE080FLFT, QTRE110FLFT, QTXE080FLT, QTXE110FLT, QTXE150FLT, QTXE110SFLT*, QTXE110S*

NuTone QTREN080FLT, QTREN110FLT, QTREN080FLFT, QTREN110FLFT, QTXEN080FLT, QTXEN110FLT, QTXEN150FLT, QTXEN110SFLT*, QTXEN110S*

*Sensor cable extension required on these models. (Purchase Model RDJUMPQ separately.)

TYPICAL SPECIFICATION

Radiation damper shall be Broan/NuTone RDFQL suitable for use with the following ventilation fan models:

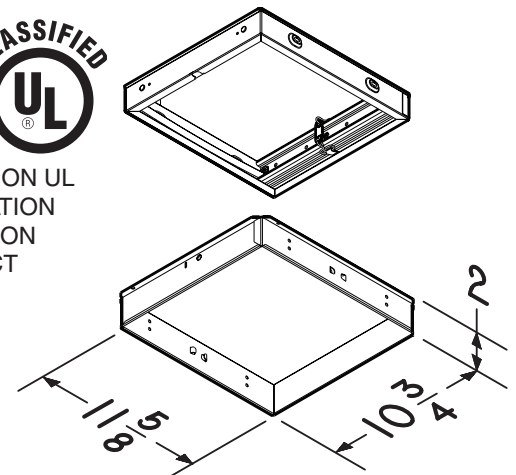
Broan QTRE080FLT, QTRE110FLT, QTRE080FLFT, QTRE110FLFT, QTXE080FLT, QTXE110FLT, QTXE110SFLT, QTXE110S

NuTone QTREN080FLT, QTREN110FLT, QTREN080FLFT, QTREN110FLFT, QTXEN080FLT, QTXEN110FLT, QTXEN110SFLT, QTXEN110S

Radiation damper shall be rated for use in up to three hour ceiling constructions. It shall be UL Classified (UL-555C) and meets or exceeds NFPA-90A.



SEE DETAILS ON UL CLASSIFICATION MARKING ON PRODUCT



Broan-NuTone LLC Hartford, Wisconsin www.broan.com www.nutone.com 800-558-1711
Broan-NuTone Canada Mississauga, Ontario www.broan.ca www.nutone.ca 877-896-1119

REFERENCE	QTY.	REMARKS	Project
			Location
			Architect
			Engineer
			Contractor
			Submitted by
			Date