

DESCRIPTION

BLOWER:

- Plug-in, permanently lubricated motor - engineered for continuous operation
- Dynamically balanced centrifugal blower wheel for quiet, efficient performance
- Low RPM for quiet operation

HOUSING:

- Rugged, 26 gauge, galvanized steel construction
- Polymeric, 4" duct connector with tapered sleeve and no metallic clatter
- 7-5/8" height allows for 2" x 8" (nominal) joist installations
- Sturdy, easy, four-point mounting directly to joist
- Includes unique spacer (patent pending) for mounting to engineered "I" joists
- Includes hanger bars to position housing anywhere between 16" to 24"-on-center joists
- Two sets of mounting holes for hanger bars allow flush installation with bottom or top of drywall
- Can be mounted in ceilings up to 12/12 pitch

GRILLE:

- Polymeric construction
- Innovative design - the result of extensive research with designers and consumers
- Energy efficient lighting - uses (2) 18W (max.) high efficiency, GU24 based, fluorescent lamps (included) and 4W night light (not included)
- Durable steel reflector with white enamel finish

BUILDER PACKS:

- Rough-in housing required - order NuTone Model QTXRN000HL (4 housings per carton)
 - Includes hanger bars to position housing anywhere between 16" to 24"-on-center joists (4 sets of hangers per carton)
 - Two sets of mounting holes for hanger bars allow flush installation with bottom or top of drywall

CONTROLS (Purchase separately):

- Refer to NuTone's catalog for a complete line of accessories to effectively adapt these fans to your construction requirements.

U.L. Listed for use over bathtubs and showers when connected to a GFCI protected branch circuit (ceiling mount only).

U.L. Listed for use in insulated ceilings (TYPE I.C.)

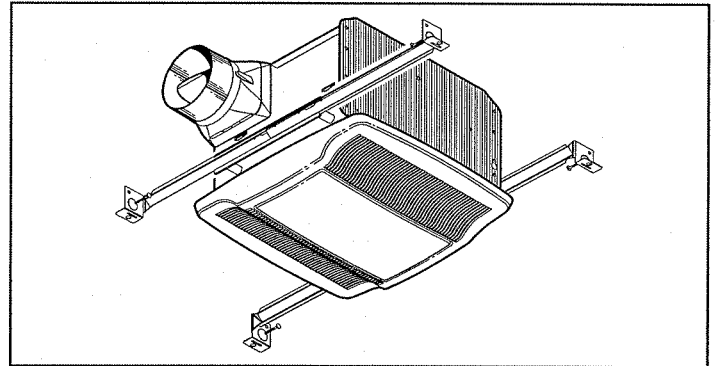
California Title 24 compliant.

3-Year Warranty



QTREN Series Fan/Light/Night Lights

**MODELS QTREN080FLT,
QTREN110FLT**



ARCHITECT'S SPECIFICATION

- Ceiling Ventilator shall be NuTone Model QTREN080FLT (QTREN110FLT).
- Ceiling Ventilator shall have corrosion resistant galvanized steel housing with four-point mounting capability. It shall be ducted to a roof or wall cap using 4" round ductwork.
- Blower assembly shall be removable, have a centrifugal-type blower wheel and a permanently lubricated motor designed for continuous operation.
- Non-metallic damper/duct connector shall be included.
- Lamps shall be (2) 18W (max.) high efficiency, GU24 based fluorescents with separate 4W night light.
- Air delivery shall be no less than 80 (110) CFM and sound level no greater than 0.8 (1.3) Sones. All air and sound ratings shall be certified by HVI.
- Ceiling ventilator shall be Energy Star® qualified and have an energy efficient permanent split capacitor motor.
- Ceiling Ventilator shall be U.L. Listed for use in insulated ceilings (Type I.C.) and for use over bathtubs and showers when connected to a GFCI protected branch circuit.

INSTALLATION

Complete installation instructions are included with each Fan / Light / Night Light.

Broan-NuTone LLC Hartford, Wisconsin www.nutone.com 888-336-3948

REFERENCE	QTY.	REMARKS	Project
			Location
			Architect
			Engineer
			Contractor
			Submitted by
			Date

PERFORMANCE RATINGS

QTREN SERIES FAN / LIGHT / NIGHT LIGHTS

HVI PERFORMANCE

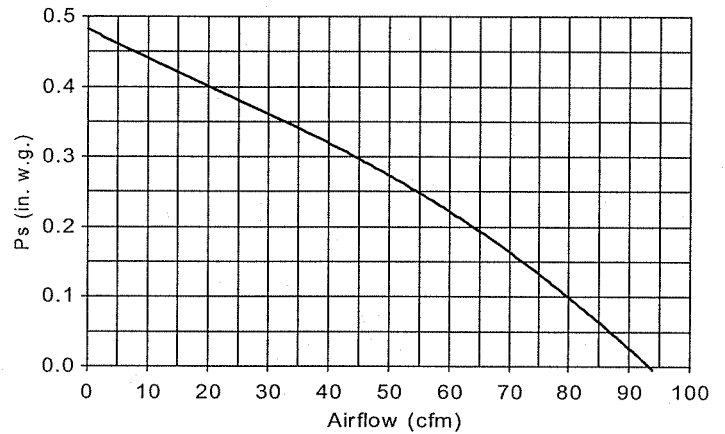
Model	Static Pressure (Ps)	CFM	Sones	Fan Watts
QTREN080FLT	0.10	80	0.8	28.2
	0.25	55		
QTREN110FLT	0.10	110	1.3	36.3
	0.25	90		



HVI-2100 CERTIFIED RATINGS comply with new testing technologies and procedures prescribed by the Home Ventilating Institute, for off-the-shelf products, as they are available to consumers. Product performance is rated at 0.1 in. static pressure, based on tests conducted in a state-of-the-art test laboratory. Sones are a measure of humanly-perceived loudness, based on laboratory measurements.

AIR FLOW PERFORMANCE

MODEL QTREN080FLT



AMPS

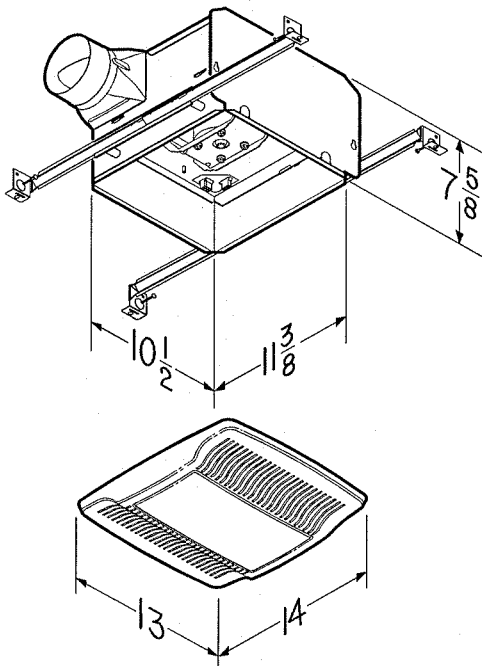
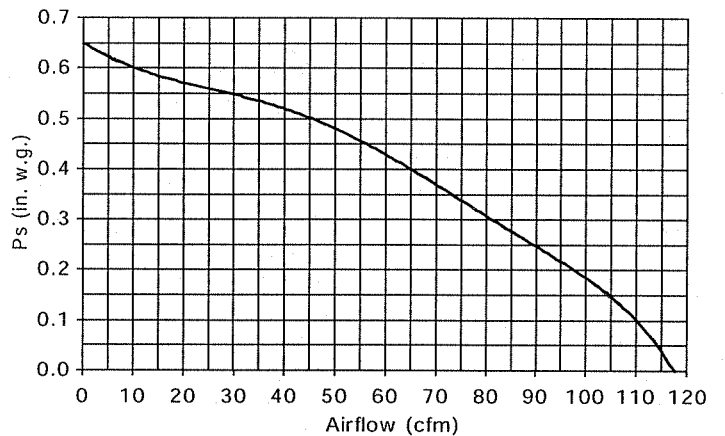
Model	Amps*
QTREN080FLT	0.9
QTREN110FLT	1.0

*Total connected load

WEIGHT

Model	Shipping Weight
QTREN080FLT	14.2 lbs.
QTREN110FLT	14.8 lbs.

MODEL QTREN110FLT



NuTone®