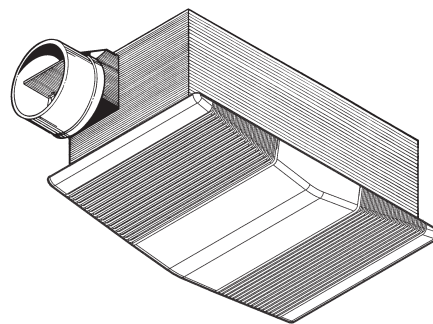


# MODEL 765H80L HEATER / FAN / LIGHT



**Quiet combination unit, built with high performance blower and attractive styling.**

### FEATURES

#### GRILLE:

- Bright white grille
- Directional vanes for heat and exhaust
- Snap-in light diffusing lens for 100W (max.) bulb (bulb not included)

#### VENTILATOR:

- Resilient anti-vibration mounts
- Plug-in, permanently lubricated motor
- Low sound, high performance blower wheel

#### HEATER:

- 1300 watts, with metal blower wheel for efficient, even heating
- Plug-in, permanently lubricated motor - functions independent of ventilator

#### HOUSING:

- Adjustable mounting brackets span up to 24"
- Polymeric damper/duct connector with 2" long tapered sleeve and no metallic clatter
- Compact 23 gage steel housing finished with electrically-bonded epoxy paint

NOTE: For installation in ceilings up to 12/12 pitch

- Suitable for use in insulated ceilings (Type I.C.).
- Use supply wiring rated for at least 90°C.

### TYPICAL SPECIFICATION

Combination unit shall be NuTone Model 765H80L.

Unit shall have steel housing finished in electrically-bonded epoxy paint and adjustable mounting brackets.

Unit shall have directional vanes for heat and exhaust and must be rated to handle an E26 base bulb, 100W (max.).

Fan, heater and light shall be separately controllable. Motors shall be permanently lubricated.

Air delivery shall be no less than 80 CFM and sound level no greater than 2.0 Sones. All air and sound ratings shall be certified by HVI.

Units shall be U.L. Listed.

Suitable for use in insulated ceilings. (Type I. C.)



Broan Hartford, Wisconsin www.nutone.com 888-336-3948

REFERENCE	QTY.	REMARKS	Project	
			Location	
			Architect	
			Engineer	
			Contractor	
			Submitted by	Date

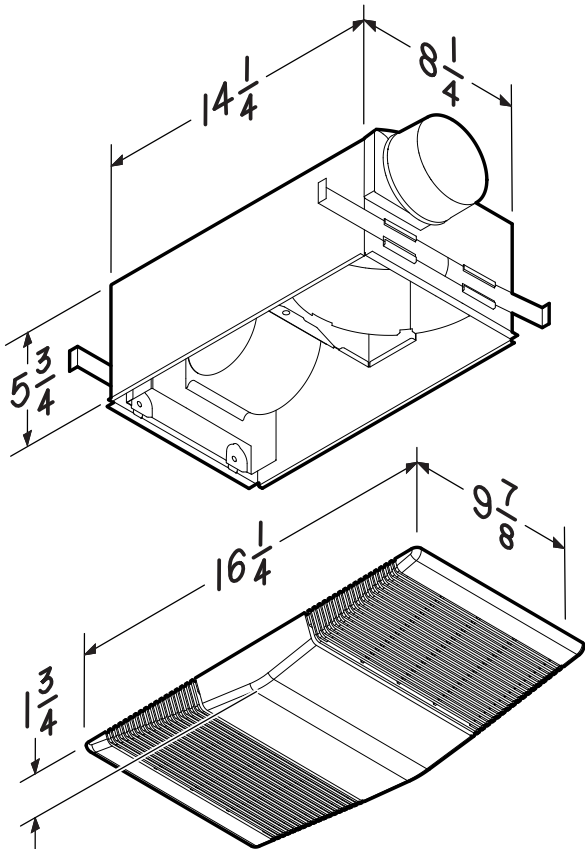
# PERFORMANCE RATINGS

MODEL	VOLTS	AMPS	WATTS*	STATIC PRESSURE (PS)	CFM	SONES	DUCT
765H80L	120	12.5	1300	0.10	80	2.0	4-IN. ROUND
				0.25	68		4-IN. ROUND

\*Total connected load



HVI-2100 CERTIFIED RATINGS comply with new testing technologies and procedures prescribed by the Home Ventilating Institute, for off-the-shelf products, as they are available to consumers. Product performance is rated at 0.1 in. static pressure, based on tests conducted in a state-of-the-art test laboratory. Sones are a measure of humanly-perceived loudness, based on laboratory measurements.



MODEL 765H80L

