

NuTone®

Introducing the NuTone InVent™ SERIES

FLEXIBILITY for new construction
and room-side retrofit from one fan.



**Made in
USA**
of US & Imported Parts



SEPTEMBER 2015

InVent™ SERIES A patent-pending

Versatile Installation. Airtight Performance. LED Lighting.

InVent Series gives professionals smart options for new construction or room-side retrofits in one, hard-working product line. InVent is about innovations such as FoldAway™ mounting ears and TrueSeal™ Damper Technology that improves building airtightness like never before. With fresh grille designs and a full range of operating points, there's an InVent Series solution for every installation.



More features from one fan.



FoldAway™ Mounting Ears are precisely positioned for new construction and fold flat for room-side retrofits. Every installation can be handled more efficiently.



With our TrueSeal™ Damper Technology, InVent fans reduce air leakage by up to 50% compared to competitive models¹, resulting in better home performance via blower door tests.



EzDuct™ Connector enables room-side installation without attic access. Attach the housing, pull the duct through, attach the EzDuct™ Connector and reset it with one screw.



LED Lighting offers greater energy efficiency and longevity, and adds a unique design detail to this hard-working fan. 11-watt, 800 Lumens integrated LED module lasts up to 25,000 hours.

¹ Testing reflects total fan housing air tightness. See NuTone.com/InVent for details.

revolution of mid-range fans.

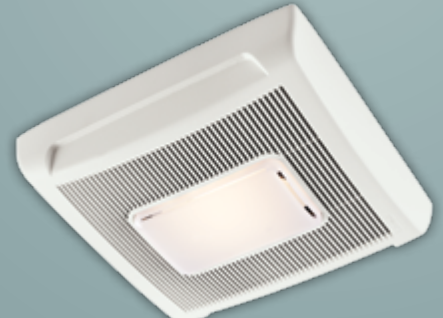
InVent™ Fan & Fan/Lights



Fan. Models: AEN50, AEN80, AEN80B, AN110, AEN110



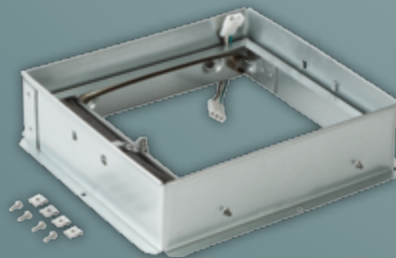
LED Fan/Light with 11-watt, 800 Lumens, 3000K, 80 CRI integrated module. Models: AEN80L, AEN80BL, AEN110L



Incandescent Fan/Light with A19 Base (bulb not included). Models: AN70L, AN80L, AN110L

InVent™ Series Accessories

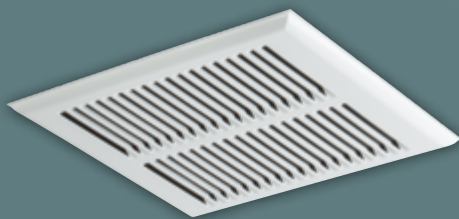
A range of accessories ensures a custom fit in any application. Choose optional duct connectors, a radiation damper and a metal grille for commercial installations, and hanger bars for exact positioning.



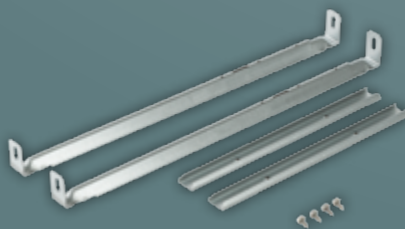
Model RDM1
Radiation Damper.



Model MQF4
With our QFlow™ Duct Connector, InVent fans reduce air leakage by up to 65% compared to competitive models¹, offering an extremely tight seal when closed and completely open airflow when open.



Model MMG
Metal Grille.



Model MHB4
Hanger Bars.



Model MMDC4
Metal Duct Connector.

¹Testing reflects total fan housing air tightness. See NuTone.com/InVent for details.

INVENT FAN MODELS

New Specifications				Replacing Specifications		
New Model	CFM	Sones	ENERGY STAR®	Replacing Model	CFM	Sones
AEN80	80	0.8	Yes	QTREN080	80	0.8
AEN80	80	0.8	Yes	QTRN080	80	1.0
AEN110	110	1.3	Yes	QTRN110	110	1.5
AEN110	110	1.3	Yes	QTREN110	110	1.3
AEN80B	80	1.5	Yes	80NT	80	2.0
AEN50	50	0.5	Yes	N/A	—	—
AN110	110	3.0	No	672R	110	4.0
AN110	110	3.0	No	671R	90	3.0
AN110	110	3.0	No	8814R	110	4.0

*Metal Grille

INVENT FAN/LIGHT MODELS

New Specifications					Replacing Specifications			
New Model	CFM	Sones	Lighting	ENERGY STAR®	Replacing Model	CFM	Sones	Lighting
AN80L	80	1.0	A19 Base**	No	QTRN080L	80	1.0	A19 Base**
AN110L	110	1.3	A19 Base**	No	QTRN110L	110	1.5	A19 Base**
AN70L	70	2.0	A19 Base**	No	769RL	70	3.0	A19 Base**
AEN80BL	80	1.5	LED	Yes	N/A	—	—	—
AEN80L	80	0.8	LED	Yes	QTREN080FLT	80	0.8	Fluorescent
AEN110L	110	1.3	LED	Yes	QTREN110FLT	110	1.3	Fluorescent

**Bulb Not Included

INVENT FAN FINISH PACKS

New Specifications				Replacing Specifications		
New Model	CFM	Sones	ENERGY STAR®	Replacing Model	CFM	Sones
AN110F	110	3.0	No	110RDB	110	4.0
AN110F	110	3.0	No	672RB	110	4.0
AN80HDF*	80	2.0	No	80RDB	80	2.5
AN80HDF*	80	2.0	No	HD80RDB	80	2.5
AEN50F	50	0.5	Yes	N/A	—	—
AEN80F	80	0.8	Yes	QTREN080F	80	0.8
AEN80F	80	0.8	Yes	QTRN080F	80	1.0
AEN110F	110	1.3	Yes	QTREN110F	110	1.3
AEN110F	110	1.3	Yes	QTRN110F	110	1.5
AEN80BF	80	1.5	Yes	F80NT	80	2.0

*Metal Grille

INVENT FAN/LIGHT FINISH PACKS

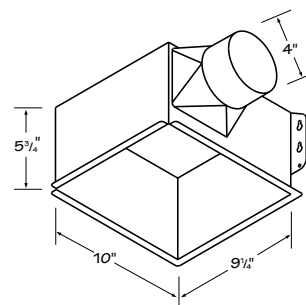
New Specifications					Replacing Specifications			
New Model	CFM	Sones	Lighting	ENERGY STAR®	Replacing Model	CFM	Sones	Lighting
AN70LF	70	2.0	A19 Base**	No	769RLB	70	3.5	A19 Base**
AEN80LF	80	0.8	LED	Yes	QTREN080FLFT	80	0.8	Fluorescent
AEN80BLF	80	1.5	LED	Yes	N/A	—	—	—

**Bulb Not Included

NuTone InVent™ Series Project Packs. Keep your job on schedule and your inventory safe. Even if the final fan or fan/light product has not been selected, a project pack enables you to install a fan or fan/light housing now and choose the right-sized finish pack later. You won't have an open box on the jobsite with a motor and grille that could be lost or damaged.

INVENT HOUSING PACKS

New Model	CFM	Description
AN000HF	50/80	Fan Housing
AN110HF	110	Fan Housing
AN000HL	—	Fan/Light Housing



NuTone®

NuTone.com 926 West State Street, Hartford, Wisconsin 53027
In U.S.A. 888-336-3948, In Canada 877-896-1119

America's Choice For Green Builders® Proud to be ENERGY STAR® partners.

©2015 Broan-NuTone LLC | Printed in USA | 09/15 99850961A

