

DESCRIPTION

BLOWER:

- Plug-in, permanently lubricated motor - engineered for continuous operation
- Dynamically balanced centrifugal blower wheel for quiet, efficient performance
- Low RPM for quiet operation
- Airflow-smoothing baffles reduce turbulence

HOUSING:

- Rugged, galvanized steel construction
- 6" round duct connector with tapered sleeve and no metallic clatter
- 6" round to 4" round duct reducer included - allows connection of 4" round ductwork
- 7-5/8" height allows for 2" x 8" ceiling installations
- Sturdy, easy, four-point mounting directly to joist
- Includes unique spacer (patented) for mounting to engineered "I" joists
- Can be mounted in ceilings up to 12/12 pitch

GRILLE:

- Polymeric construction
- Innovative design - the result of extensive research with designers and consumers
- Energy efficient lighting - uses (2) 18W (max.) high efficiency, type GU24 based fluorescent bulbs (included), and 4W (max.) type C7 night light bulb (not included)
- Durable steel reflector with white enamel finish

CONTROLS (Purchase separately):

- Refer to NuTone's catalog for a complete line of accessories to effectively adapt these fans to your construction requirements.

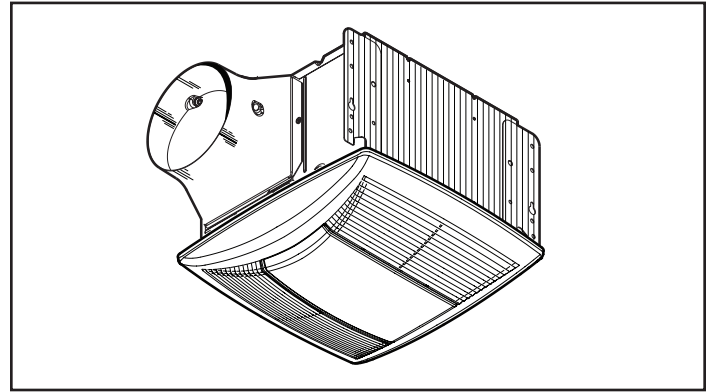
U.L. Listed for use over bathtubs and showers when connected to a GFCI protected branch circuit (ceiling mount only).

U.L. Listed for use in insulated ceilings (Type I.C.)

3-Year Warranty



Model QTN130LE1 Fan/Light/Night Light



ARCHITECT'S SPECIFICATION

- Fan shall be NuTone Model QTN130LE1.
- Fan shall have corrosion resistant galvanized steel housing with four-point mounting capability. It shall be ducted to a roof or wall cap using 6" round or 4" round ductwork.
- Blower assembly shall be removable, have a centrifugal-type blower wheel, and a permanently lubricated motor designed for continuous operation.
- 6" round non-metallic damper/duct connector and 6" round to 4" round duct reducer shall be included.
- Bulbs shall be (2) 18W (max.) high efficiency, type GU24 based fluorescents and separate 4W (max.) type C7 night light bulb.
- Air delivery shall be no less than 130 CFM and sound level no greater than 1.5 Sones when using 6" duct connector (130 CFM / 2.0 Sones when using 6" round to 4" round duct reducer). All air and sound ratings shall be certified by HVI.
- Fan shall be ENERGY STAR® qualified and have an energy efficient permanent split capacitor motor.
- Fan shall be U.L. Listed for use over bathtubs and showers when connected to a GFCI protected branch circuit (ceiling mount only).
- Fan shall be U.L. Listed for use in insulated ceilings (Type I.C.).

Broan-NuTone LLC Hartford, Wisconsin www.nutone.com 888-336-3948

REFERENCE	QTY.	REMARKS	Project
			Location
			Architect
			Engineer
			Contractor
			Submitted by Date

PERFORMANCE RATINGS

MODEL QTN130LE1 FAN

HVI PERFORMANCE

Model	Static Pressure (Ps)	CFM	Sones	Fan Watts	Duct
QTN130LE1	0.10	130	1.5	37.1	with 6" round duct connector
	0.25	100			
	0.10	130	2.0	37.1	with 4" round duct reducer
	0.25	100			



HVI-2100 CERTIFIED RATINGS comply with new testing technologies and procedures prescribed by the Home Ventilating Institute, for off-the-shelf products, as they are available to consumers. Product performance is rated at 0.1 in. static pressure, based on tests conducted in a state-of-the-art test laboratory. Sones are a measure of humanly-perceived loudness, based on laboratory measurements.

AMPS

Model	Amps*
QTN130LE1	1.0

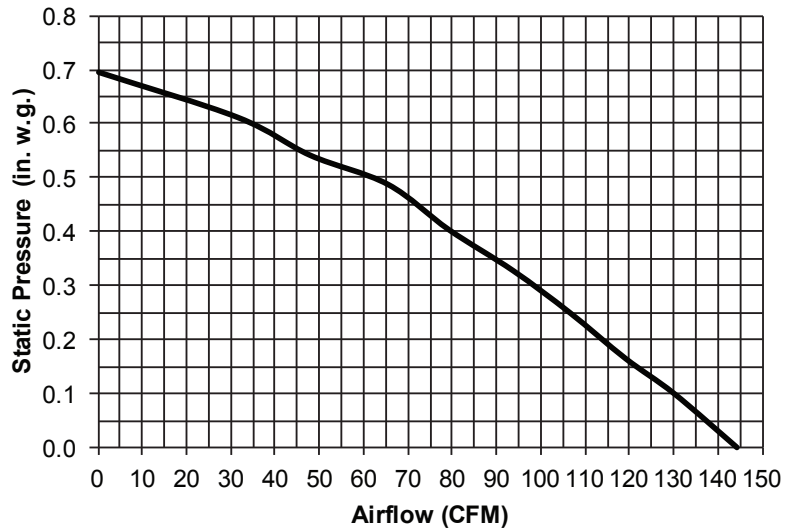
* Total connected load.

WEIGHT

Model	Shipping Weight
QTN130LE1	14.1 lbs.

AIR FLOW PERFORMANCE

MODEL QTN130LE1 - 6" DUCT



MODEL QTN130LE1 - 4" DUCT

