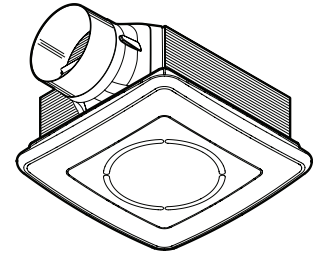


MODEL 791LEDNT VENTILATION FAN WITH LED LIGHT



DESCRIPTION

BLOWER:

- Plug-in permanently lubricated motor
- Polymeric blower wheel
- Can be used to comply with ASHRAE 62.2, LEED, ENERGY STAR® for Homes and CA Title 24

HOUSING:

- Rugged, 25-gage galvanized steel construction
- Fits in 2" x 6" construction
- Pre-located mounting holes for quick, accurate installation
- Tapered, polymeric duct fitting with built-in backdraft damper for easy, positive duct connection and no metallic clatter

LIGHTING / GRILLE:

- Highly efficient, 9 Watt, integrated LED
- LED lasts up to 25,000 hours
- Unique, low profile, perimeter-lit design for wide light pattern
- Even lens diffusion eliminates hotspots

TO OPERATE FAN AND LIGHT:

- Use only an ON/OFF or timer switch to operate the fan.
- Use only an ON/OFF switch, timer switch or relay-switch to operate the LED light.
- The LED light cannot be used with a dimmable switch.
- Both the fan and LED light can be put on one switch.

Acceptable for use over a tub or shower when connected to a GFCI (Ground Fault Circuit Interrupter) - protected branch circuit.

NOTE: For installation in flat ceilings only.

U.L. Listed for use in insulated ceilings (Type I.C.)

Use supply wiring rated for at least 90° C.

SPECIFICATIONS

MODEL	VOLTS	AMPS
791LEDNT	120	0.5

STATIC PRESSURE	CFM	SONES	FAN WATTS	DUCT
0.10	100	1.5	36.4	4" Round
0.25	88			

TYPICAL SPECIFICATION

Ventilation Fan with LED Light unit shall be NuTone Model 791LEDNT.

Unit shall have galvanized steel housing with integral mounting holes. It shall be ducted to a roof or wall cap.

Blower assembly shall be removable and have a permanently lubricated motor.

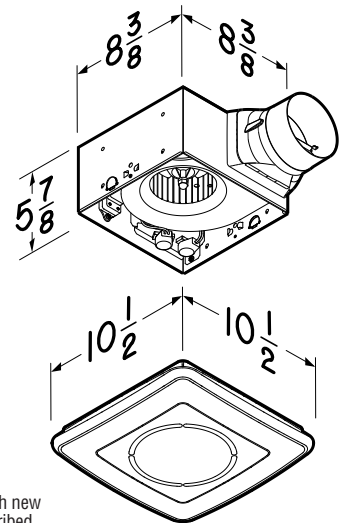
Light fixture assembly shall be plug-in, removable and includes built-in LED lighting.

Air delivery to be no less than 100 cfm and sound level no greater than 1.5 sones. Air and sound ratings shall be certified by HVI.

Unit shall be U.L. Listed for use in insulated ceilings (Type I.C.)



HVI-2100 CERTIFIED RATINGS comply with new testing technologies and procedures prescribed by the Home Ventilating Institute, for off-the-shelf products, as they are available to consumers. Product performance is rated at 0.1 in. static pressure, based on tests conducted in a state-of-the-art test laboratory. Sones are a measure of humanly-perceived loudness, based on laboratory measurements.



Broan-NuTone LLC Hartford, Wisconsin www.nutone.com 800-558-1711

REFERENCE	QTY.	REMARKS	Project
			Location
			Architect
			Engineer
			Contractor
			Submitted by Date