

NuTone®

Built-in Ironing Centers



March 2009

NuTone® Built-in Ironing Centers – Detailed Features and Benefits

Ironing hardly seems like a chore when you have a NuTone® Built-In Ironing Center. With an ironing center, all your ironing items are within reach in a moment's notice. No more dragging out the ironing board or clearing a spot to set it up. The Deluxe model even offers a built-in electrical outlet for easy plug-in of the iron. Your choice of door styles allows you to match your home décor.

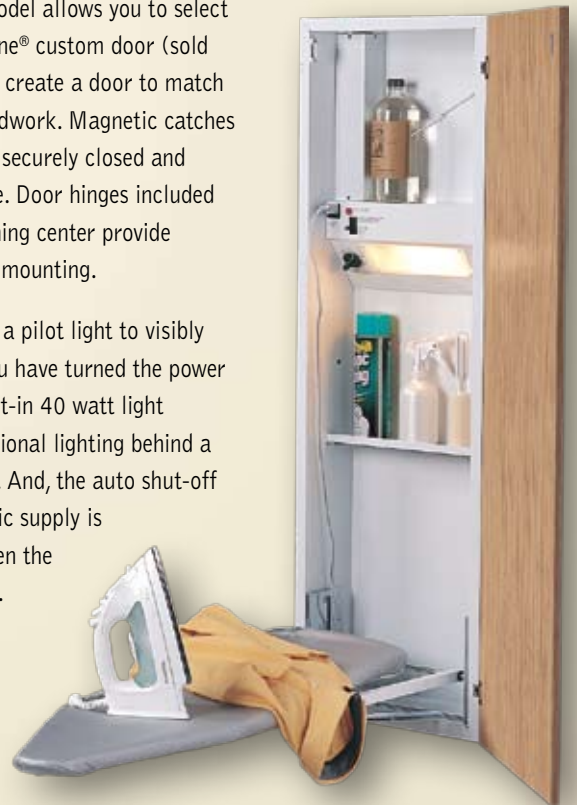
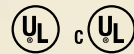
NuTone® Deluxe Ironing Center – AVD50N

Featuring all-metal construction, the NuTone® Deluxe ironing board provides years of dependable use. Its ventilated design is resistant to moisture and cools quickly. The non-stick ironing board cover fits snugly over the board and secures with a drawstring. With three height settings and 180° swivel, the board can be adjusted for optimum ironing comfort and fits in tight corners for additional ergonomic benefit. This unit installs as a recess or surface mount (mounting collar sold separately).

A tall, deep storage area provides room to store spray bottles, starch and other items.

The Deluxe model allows you to select either a NuTone® custom door (sold separately) or create a door to match your own woodwork. Magnetic catches keep the door securely closed and neatly in place. Door hinges included with each ironing center provide a left or right mounting.

The timer has a pilot light to visibly show when you have turned the power "on". The built-in 40 watt light provides functional lighting behind a shielded cover. And, the auto shut-off ensures electric supply is turned off when the door is closed.



AVD50N shown with AVDORPN Oak Raised Panel Custom Door



Features

180° Swivel and Height Adjustment
(Deluxe Only)



Built-in Outlet and Timer
(Deluxe Only)



Hot Iron and Storage Shelves



42" Ironing Board





NuTone® Basic Non-Electric Ironing Center – AVD40N

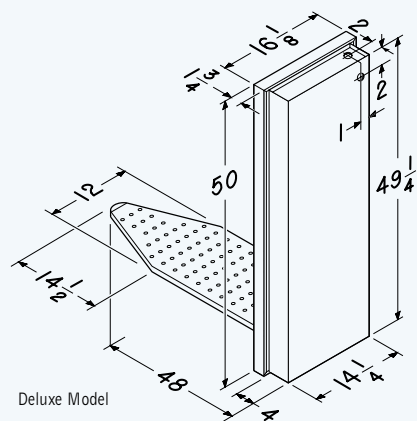
The Basic Ironing Center provides all-metal construction with a ventilated board and handy storage area. This unit can be recess or surface mounted. The Basic model is sold with a choice of a simulated oak or white flat panel door, shown – or your choice of custom door, sold separately. The Basic model is non-electric.



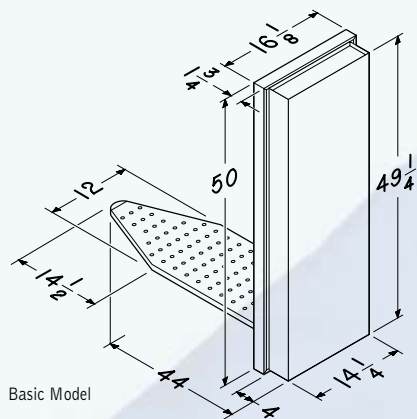
Simulated Oak



White



Deluxe Model



Basic Model

NuTone® Built-in Ironing Centers and Components

Model No.	Description
Ironing Centers	
AVD50N	Deluxe Ironing Center – No Door
AVD40N	Basic Ironing Center – No Door
AVD40WN	Basic Ironing Center – White Flat Panel Door
AVD40KN	Basic Ironing Center – Simulated Oak Flat Panel Door
Custom Doors	
AVDORPN	Oak Raised Panel (unfinished)
AVDWRPN	White Raised Panel
AVDOFPN	Birch Flat Panel (unfinished)
AVDMFPNH	Mirror Door with 1" Beveled Edge
Accessories	
AVDCPN	Ironing Board Cover
AVDSMN	Surface Mount Collar

Custom Door Selections

NuTone® Deluxe Ironing Centers are sold without doors allowing you to choose a NuTone® Custom Door (sold separately).



AVDORPN

Oak Raised Panel (unfinished)



AVDOFPN

Birch Flat Panel (unfinished)



AVDWRPN

White Raised Panel



AVDMFPNH

Mirror Door (with 1" bevel)



NuTone® is America's leading brand of residential built-in convenience products including door chimes, central vacuum systems, intercom systems, home theater speakers, medicine cabinets, ceiling fans, ironing centers and ventilation fans.

Broan® is America's leading brand of residential ventilation products including range hoods, ventilation fans, heater/fan/light combination units, Indoor Air Quality (IAQ) Fresh Air Systems, built-in heaters, whole-house fans, attic ventilators, paddle fans and trash compactors.

Broan and NuTone are proud to be ENERGY STAR® partners.

NuTone®

www.NuTone.com

Broan-NuTone LLC, 926 W. State Street, Hartford, WI 53027 • **888-336-3948**

In Canada call **877-896-1119**

