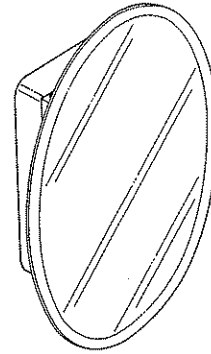


CAMEO OVAL BEVEL SERIES MEDICINE CABINETS



FEATURES

- Recessed installation for standard wall openings
- Easy to clean, one-piece, heavy-gauge steel construction
- 3/16" thick oval beveled edge premium float glass mirror
- White paint, baked-on finish
- Full piano hinge
- Adjustable polystyrene shelves (*steel shelves)
- Reversible for left-hand or right-hand door opening
- Includes mounting hardware

TYPICAL SPECIFICATION

Medicine cabinet shall be Broan Cameo Oval Series Model 1350, (1358).

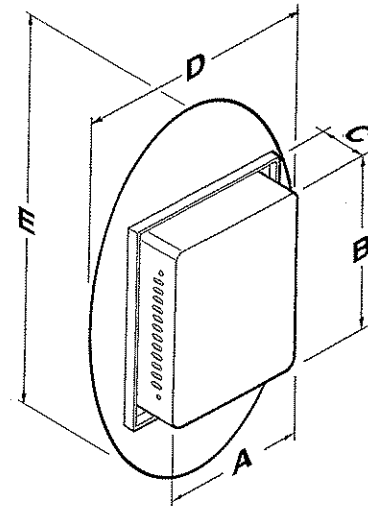
Recessed medicine cabinet shall be of one-piece, heavy gauge steel construction finished in white baked-on paint after forming.

Oval glass mirror shall have 1" full surround of beveled edge. Steel door shall be finished in white baked-on paint to match cabinet.

Cabinet shall have full piano hinge with built-in door stop and a magnetic door catch.

Cabinet shall be reversible for left-hand or right-hand installation.

MODEL NO	WALL OPENING			OVERALL SIZE		# OF SHELVES
	A	B	C	D	E	
1350	14	18	3 1/2	21	31	2 (adj) poly
*1358	14	24	3 1/2	24	36	3 (adj) steel



Broan-NuTone LLC, 926 West State Street, Hartford, WI 53027 (1-800-637-1453)

REFERENCE	QTY.	REMARKS	Project
			Location
			Architect
			Engineer
			Contractor
			Submitted by Date