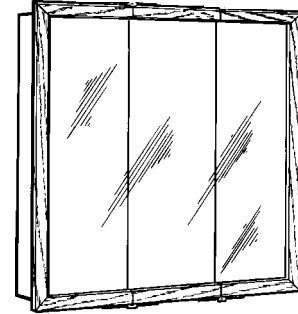


# GRAND OAK & GRAND MAPLE SERIES BATHROOM CABINETS



Tri-view recessed or surface mount cabinets.

**FEATURES**

- Steel construction
- Three way viewing
- Three storage areas
- White powder coat finish
- Adjustable glass shelves
- 5/32" premium float glass mirrors
- Pin hinges
- Oak or maple frame

**TYPICAL SPECIFICATION**

Bathroom cabinet shall be Broan Grand Oak or Grand Maple Series Model 277936, (277936M) (277948), (277948M).

Cabinet shall be fabricated of heavy gauge steel and finished with white powder coat baked-on paint after forming.

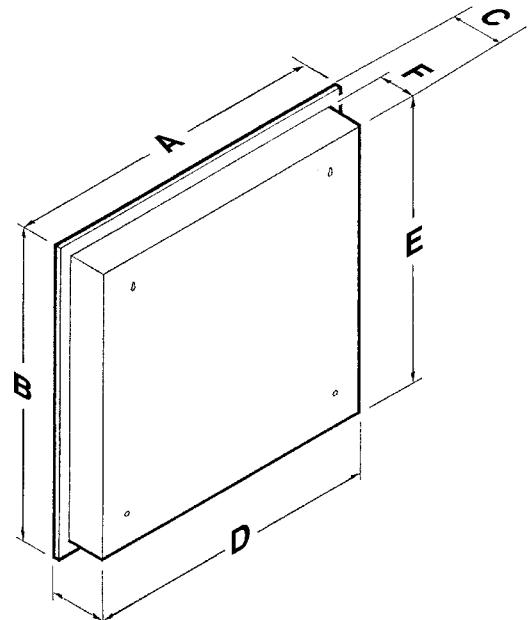
Cabinet shall have natural oak frame with honey oak finish or maple frame with natural finish.

Cabinet shall be equipped with three (3) mirrored doors, two (2) adjustable glass shelves and magnetic catches.

**BATHROOM CABINETS**

MODEL NO.	FRAME MATERIAL	OVERALL SIZE			WALL OPENING *			# OF SHELVES
		A	B	C	D	E	F	
277936	Oak	35 <sup>13</sup> / <sub>16</sub>	29	4 <sup>1</sup> / <sub>4</sub>	34 <sup>5</sup> / <sub>8</sub>	27 <sup>1</sup> / <sub>8</sub>	3 <sup>1</sup> / <sub>2</sub>	2 (adj) glass
277936M	Maple	35 <sup>13</sup> / <sub>16</sub>	29	4 <sup>1</sup> / <sub>4</sub>	34 <sup>5</sup> / <sub>8</sub>	27 <sup>1</sup> / <sub>8</sub>	3 <sup>1</sup> / <sub>2</sub>	2 (adj) glass
277948	Oak	47 <sup>13</sup> / <sub>16</sub>	29	4 <sup>1</sup> / <sub>4</sub>	46 <sup>5</sup> / <sub>8</sub>	27 <sup>1</sup> / <sub>8</sub>	3 <sup>1</sup> / <sub>2</sub>	2 (adj) glass
277948M	Maple	47 <sup>13</sup> / <sub>16</sub>	29	4 <sup>1</sup> / <sub>4</sub>	46 <sup>5</sup> / <sub>8</sub>	27 <sup>1</sup> / <sub>8</sub>	3 <sup>1</sup> / <sub>2</sub>	2 (adj) glass

\*Optional



Broan-NuTone LLC, 926 West State Street, Hartford, WI 53027 (1-800-637-1453)

REFERENCE	QTY.	REMARKS	Project	
			Location	Architect
			Engineer	
			Contractor	
			Submitted by	Date