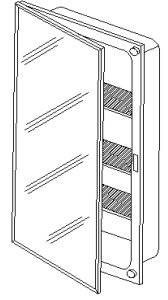


**FRAMED AND FRAMELESS SERIES
RECESSED MOLDED PLASTIC
MEDICINE CABINETS**



For recessed installation -
Framed and frameless mirrored swing doors

FEATURES

- Recessed installation for standard wall openings
- Easy to clean, one piece, white injection molded polystyrene construction
- Framed mirrors, polished edge or 1/2" bevel
- Rust resistant
- Piano hinge
- Fixed (24" models) or adjustable (18" models) polystyrene shelves
- Reversible for left-hand or right-hand door opening
- Includes mounting hardware

TYPICAL SPECIFICATION

Medicine cabinet shall be NuTone 835/840/868 Molded Series.

Recessed cabinet shall be of one-piece, white injection molded polystyrene.

Cabinet shall have piano hinge and a magnetic door catch.

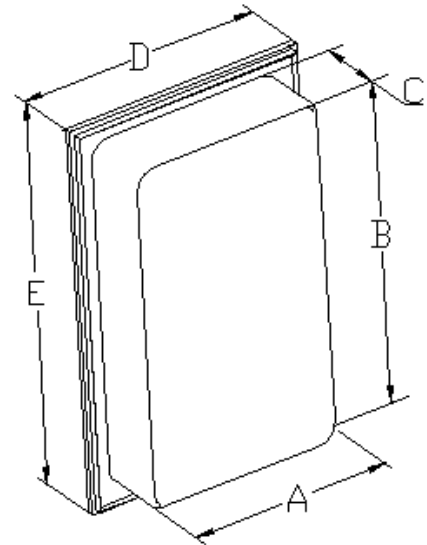
Each cabinet shall include three fixed shelves on 24" models or two adjustable on 18" size.

Cabinet shall be reversible for left-hand or right-hand installation.

Plate glass mirror on frameless models shall have all four edges polished. Model 868 shall have 1/2" bevel on all four sides.

Framed models shall have full surround of stainless steel (CH).

MODEL NO.	WALL OPENING			OVERALL SIZE		MIRROR TYPE
	A	B	C	D	E	
835M18WH	14	18	3-1/2	16	22	PLATE
840M18CH	14	18	3-1/2	16	22	SELECT
868M18WH	14	18	3-1/2	16	20	PLATE
868M22WH	14	18	3-1/2	16	22	PLATE
835M24WH	14	24	3	16	26	PLATE
840M24CH	14	24	3	16	26	SELECT
868M24WH	14	24	3	16	26	PLATE



Broan-NuTone LLC, 501 S. Wilhite Street, Cleburne, TX 76031 (1-800-325-8351)

REFERENCE	QTY.	REMARKS	Project
			Location
			Architect
			Engineer
			Contractor
			Submitted by
			Date